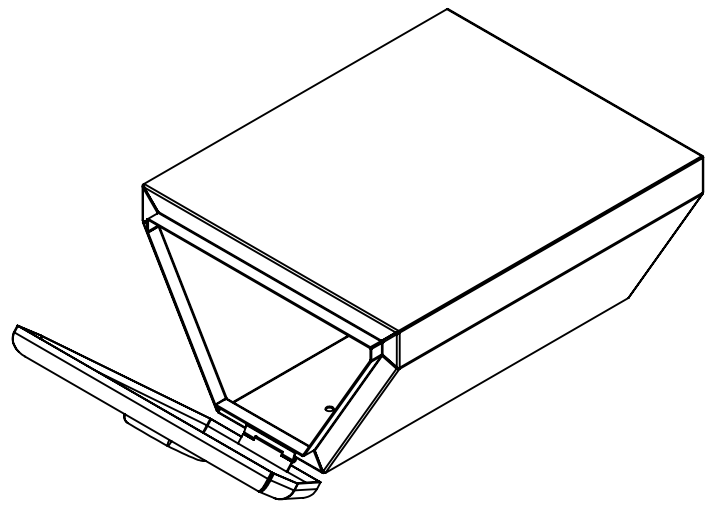
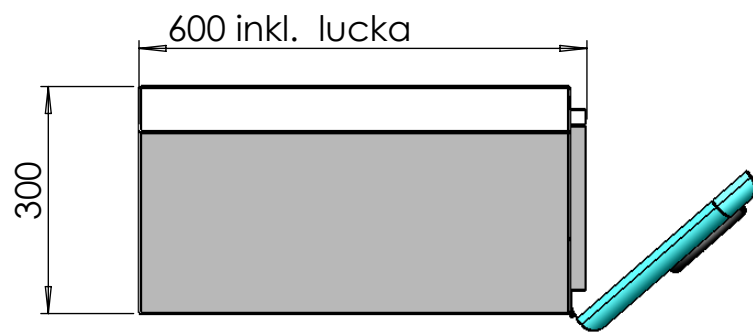
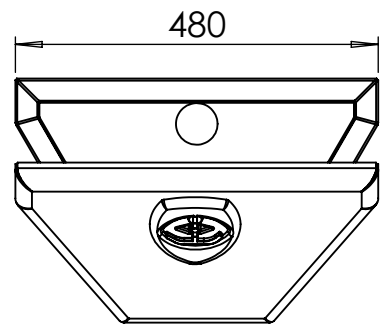




Note	Modified from	Date	Approved
------	---------------	------	----------



This document must not be copied without our written permission and the contents thereof must not be imparted to a third party nor be used for any unauthorized purpose. Contravention will be prosecuted. New Time AB

	Tolerances, if not indicated, according to: ISO 13920-CG		Material RFS 2333, tj 2 mm			
	Design.	Drawn	Date	Format A4	Scale	
	Description <b>Skärmlåda Joab</b>			Mass (g)		Revision
Art nr Skärmlåda 440002				Sheet		