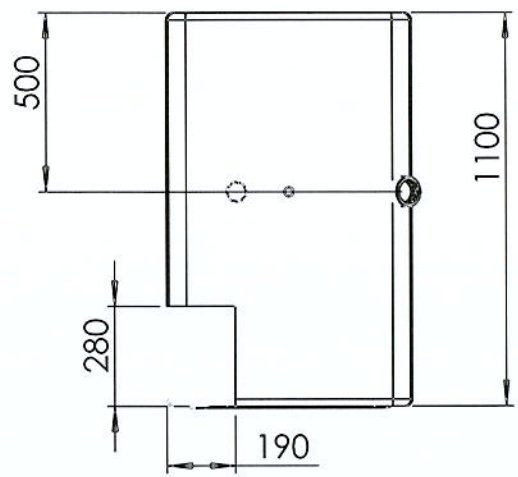
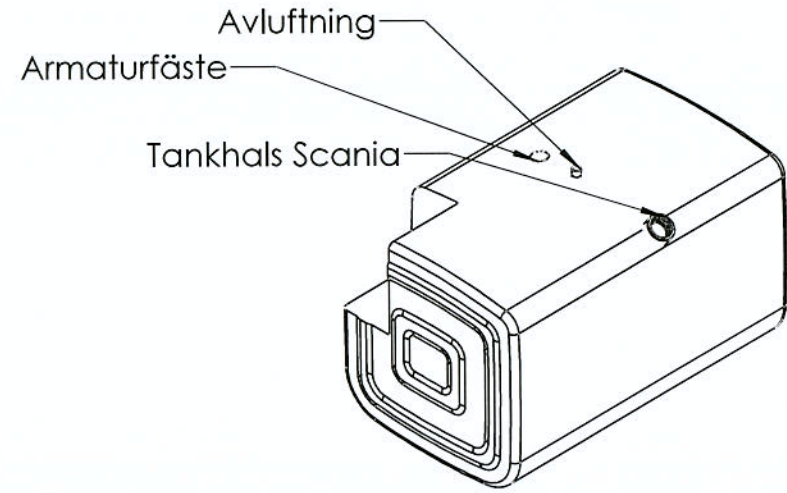
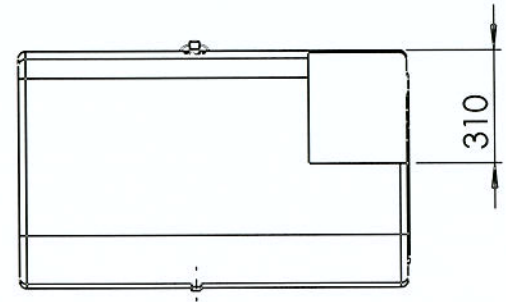
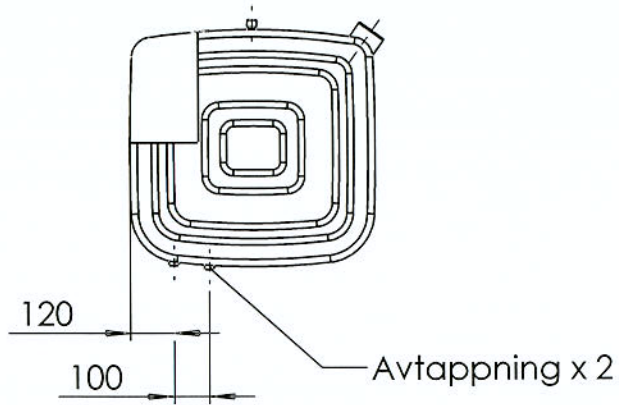


Note	Modified from	Date	Approved
------	---------------	------	----------



	Tolerances, if not indicated, according to: ISO 13920-CG		Material RFS 2333			
	Design.	Drawn B.B.	Date 130326	Format A4	Scale	 Revision
	Description Volym > 400 L modell Scania W B=700mm,H=670mm			Drawing nr D-tank Scania W 23036		

This document must not be copied without our written permission and the contents thereof must not be imparted to a third party nor be used for any unauthorized purpose. Contravention will be prosecuted. New Time AB