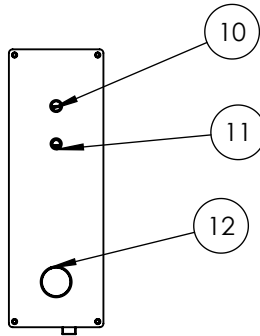
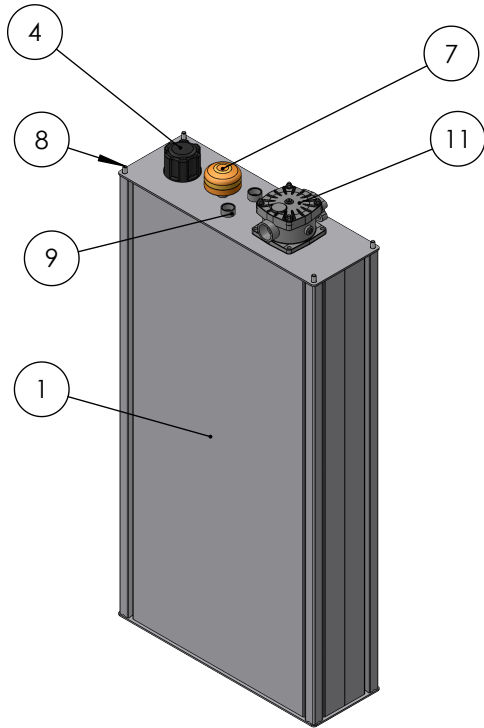


This document must not be copied without our written permission and the contents thereof must not be imparted to a third party nor be used for any unauthorized purpose. Contravention will be prosecuted. New Time AB

1			
Rev.Nr	Revisionsanmärkning	Datum	Sign.



Tolerances, if not indicated, according to: ISO 13920-CG		Material		RF		Thickness 2,00mm	
Design.	Drawn O.L	Date 2024-11-12	Format	Scale 1:20			Revision
Description 200L			Mass (kg) 113.33		Revision		
Drawing nr 319200					Sheet 1/2		



ITEM NO.	PART NUMBER	DESCRIPTION	QTY.
1	319200-Tank		1
11	Returoljefilter-Parker-300	300 l/min	1
3	Nivaglas-500		1
4	Påfyllningslock		1
5	3-4-Tums-Luftfilter-Nippel		1
6	Filterhallare-RF-Parker		1
7	Luftfilter		1
8	M12-Dragstang		4
9	Muff-RF	G1"	2
10	Muff-RF	G ³ / ₄ "	1
11	Muff-RF	G ¹ / ₂ "	1
12	Muff-RF	G2- ¹ / ₂ "	1

Tolerances, if not indicated, according to: ISO 13920-CG		Material: RF		Thickness: 2,00mm	
Design:	Drawn: O.L	Date: 2024-11-12	Format:	Scale: 1:20	
Description: BOM			Mass (kg): 113.33		
			Drawing nr: 319200		Sheet: 2/2



This document must not be copied without our written permission and the contents thereof must not be imparted to a third party nor be used for any unauthorized purpose. Contravention will be prosecuted. New Time AB

1			
Rev.Nr	Revisionsanmärkning	Datum	Sign.